

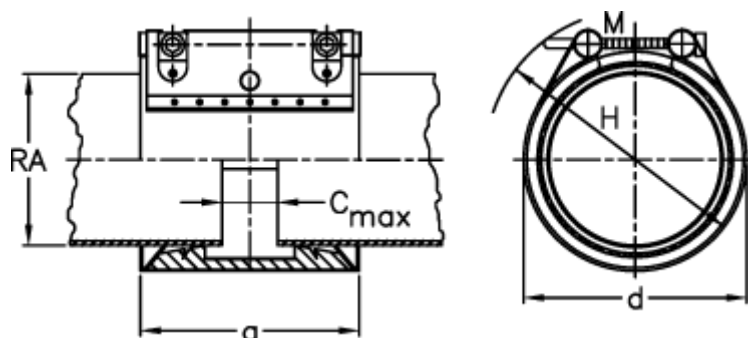
Data Sheet



Article number: 025799200033

Description: Norma Connect pipe coupling
GRIP E W4 Ø=33,7 EPDM, 16 bar

Measures



a	= 67
C max with insertion band	= 3
d	= 55
H	= 75
M (screw)	= M8
Nominal pressure (bar)	= 16
RA	= 33.700000000000003
RA min-RA max	= 31,0-34,2

Weight a piece = 0.4